

HONGLITRONIC
en.honglitrionic.com
Hongli Zhihui Group Co.,Ltd.

Add: No.1, Xianke yi Road, Huadong Town, Huadu District, Guangzhou City.

Tel: +86-20-8673 3333 ext 3033

Fax: +86-20-8673 3883

E-mail: fair@honglitrionic.com



Official website



Official wechat



2017 LED PACKAGE

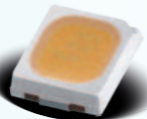
CATALOGUE

Version: June, 2017

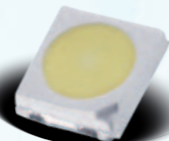
HONGLITRONIC

We are Leading the

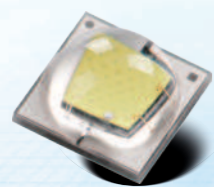
White Light LEDs



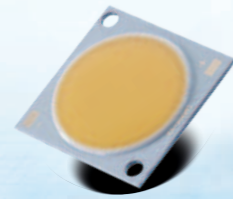
SMD LEDs



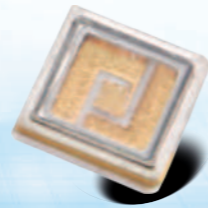
EMC LEDs



AUTOMOTIVE LEDs



COB LEDs



UV LEDs

Contents

Introduction

■ About Honglizhihui	01
■ Energy Star Laboratory	02
■ UL Certificate	03
■ LM-80	04
■ Color Rendering Index	05
■ White Light Binning	06

Products

■ General Lighting	07-20
Indoor Lighting	
Outdoor Lighting	
■ Automotive LED	21-24
Interior	
Exterior	
■ LED Backlight	25-31
Direct-light type	
Edge-light type	
■ Indicator & Display Applications	32-33
Indicator light	
Digital display	
■ Other Applications	34-37
Medical sterilization	
Industrial curing	
Plant growth light	
Security system	
■ Package Dimensions	38-41



ABOUT HONGLIZHIHUI

- ▶ Distributor
- Manufacturer plant



Hongli Zhihui Group was founded in 2004 with registered capital of 670 million RMB, stock code: 300219. The headquarters is located in Guangzhou, China, has two LED package plants (Guangzhou and Nanchang). Honglizhihui is one of the 3 largest high quality LED Packaging manufacturers in China, specialized in production and development of SMD LEDs, COB LEDs, High Power LEDs, Automotive LEDs, UV LEDs, LAMP LEDs, Infrared LEDs etc.



ENERGY STAR LABORATORY



Honglizhihui's laboratory is CNAS (CNAS LAB CODE L7029) accredited, also recognized by US EPA for LED Packages/Arrays/Modules IES LM-80 testing and CIE 127-2007 standard testing. We provide our clients with one-stop-shopping service for our quality products through our leading international expertise, and state of the art product testing facilities.



LM-80 Lab



LM-80 testing



T3ster



X-RAY



10000hrs LM-80 certified:



COB LM004(80W)

9000hrs LM-80 certified:



SMD 5730 (new)



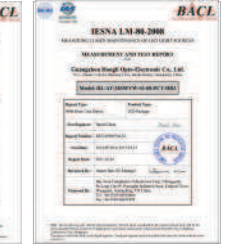
SMD4014



2835 (0.5W)



2835-PCT



HV2835

7000hrs LM-80 certified:



SMD5730



LM004 (80W)



LM002 (9W)



COB LT005 (100W)



LM003 (22W)

Honglizhihui LED Package Obtained UL Certificate, Certificate Number: 20151106 - E479533. Please see the UL Online Certifications Directory at www.ul.com/database for more information.

The LED package UL Certificate means that Honglizhihui is in search of excellence. The LED components with UL certification could be an advantage for customers in the design of lamps and lanterns because it is allowed to expose directly. Meanwhile, the luminous efficacy increase more than 10% while the cost reduces.

The certified models of LED components are as follows:

Model Designation	Input type	Maximum Junction Temp(°C)	Environmental Suitability	Enclosure Considerations	Isolation Voltage
HL-A-2835DXW-S1-08-HR3	Nonisolated	115	Damp	4	3.4Vdc
HL-A-2835HXXXW-S1-08-HR3	Nonisolated	115	Damp	4	3.4Vdc
HL-A-4014HXXXW-S1-08-HR3-DM	Nonisolated	115	Damp	4	3.4Vdc
HL-A-5730DXW-S1-08-HR3	Nonisolated	115	Damp	4	3.4Vdc
HL-AS-2835DXW-2C-S1-08-PCT-HR3	Nonisolated	115	Damp	4	6.8Vdc
HL-AS-2835DXW-3C-S1-08-PCT-HR3	Nonisolated	115	Damp	4	10.8Vdc

(Where "X" can be "1-9" and "XXX" can be "101-999" for marketing purpose)

6000hrs LM-80 certified:



ES-3032



EMC3030



SMD3014



SMD3528



COB LB019



C3535

COLOR RENDERING INDEX

A wide variety of CRI products

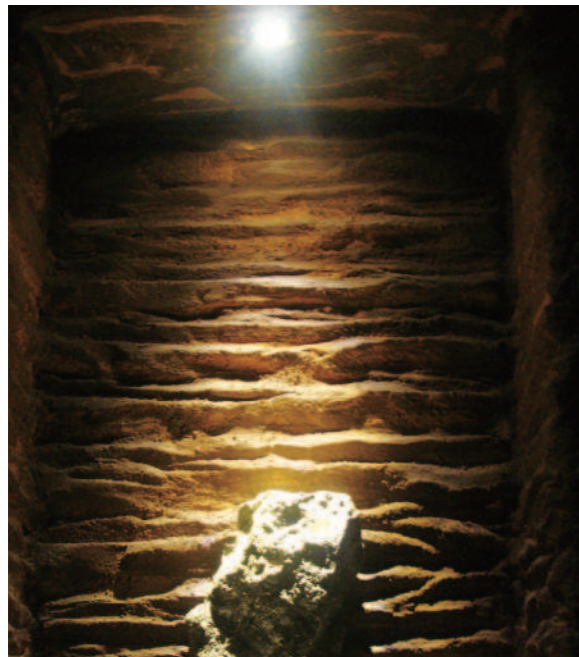
CRI	Ra 70min
Feature	High efficacy type, meet harsh light efficiency demands.
Application	For outdoor and industrial lighting



CRI	Ra 80min
Feature	Cost effective type. Satisfy both high CRI and high light efficiency demands at the same time.
Application	For indoor lighting



CRI	Ra 90min
Feature	High color rendering type. Light efficiency is higher than most conventional light sources.
Application	For special lighting (shop & museum)

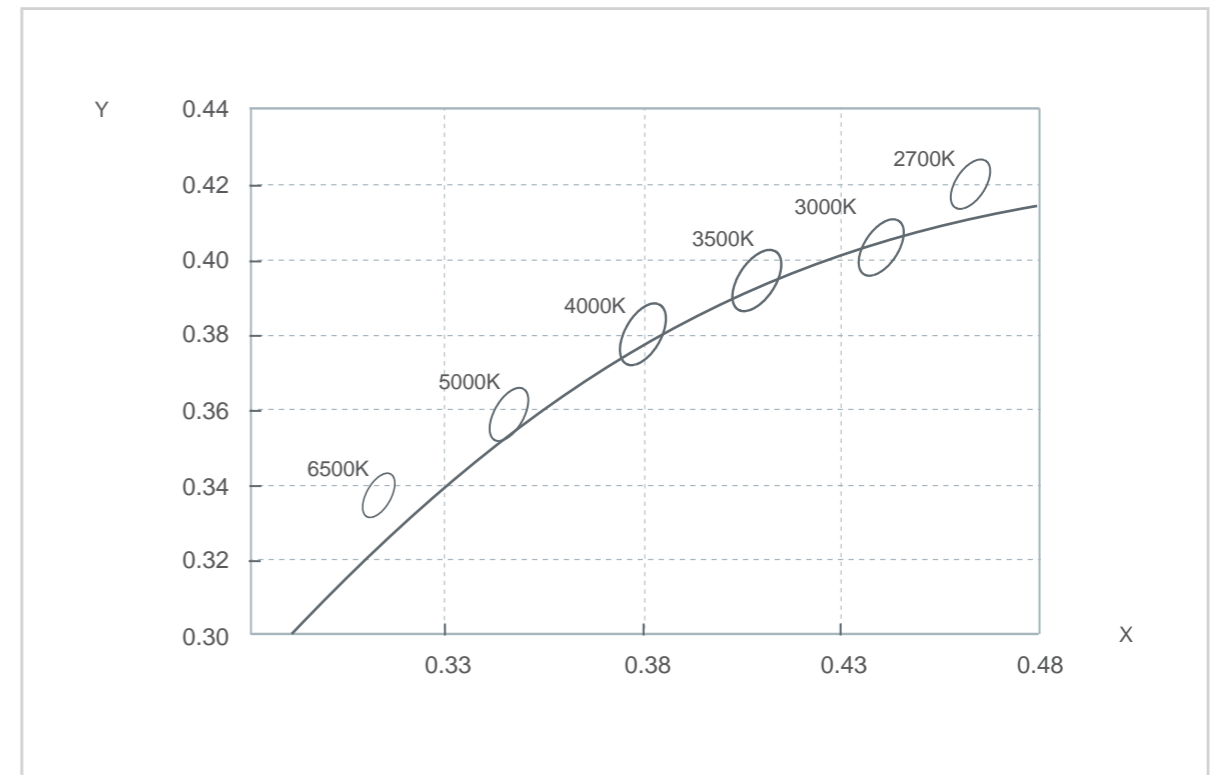


CRI	Ra 95min
Feature	High color rendering type. Meet high color discrimination application.
Application	For special lighting (Medical lighting & printing industry)



WHITE LIGHT BINNING

Honglizhahui supplies all sorts of color temperature white light products, ranging from warm white (2700K) to cold white (6500K). Our products strictly follow international standard-ERP SDCM binning, to meet luminaires' applications, accurate chromacity control and demands.



Different SDCM Chart

INDOOR LIGHTING



SMD LED

- With testing report of LM – 80, and UL certificate, SMD LED Series products apply universally to LED lighting products in the market, meet the criteria of ANSI or ERP, and satisfy the requirements of high – quality & luminous efficacy, good air-tightness & reliability.

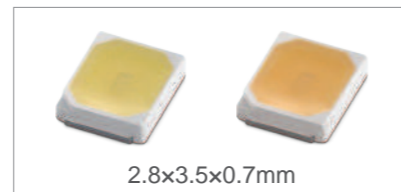
SMD2835-PCT

Features

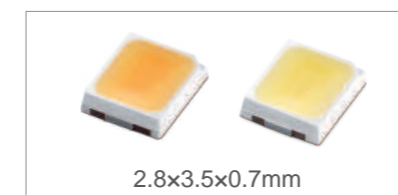
- Long Life Span, 9000hrs LM-80 certified
- High Efficiency, up to 150lm/W
- Excellent color
- High air tightness, New Process PCT 2835, Good Anti-oxidation capacity
- 2835 PCT available in 6V, 9V, 12V,18V, 24V, 36V,45V,48V.



- Bulb



SMD2835

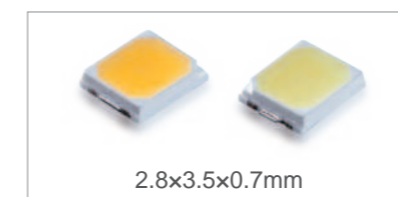


- Tube Light



Product Model	CCT(K)	Φ(lm) Typ	Ra≥	VF(V)		Rth J-S (°C /W)	IF(mA)
				Min	Max		
AM-2835H489W-S1-08L-HR3	3000	24	80	2.8	3.4	50	60
	6000	25					
AM-2835H421W-S1-08-HR3	3000	26	80	2.8	3.4	50	60
	6000	27					

SMD2835



- Tube Light - Down Light



Product Model	CCT(K)	Φ(lm) Typ	Ra≥	VF(V)		Rth J-S (°C /W)	IF(mA)
				Min	Max		
AM-2835D1W-S1-08-HR3	3000	60	80	2.8	3.4	30	150
	6000	63					
A-2835D46W-S1-08-HR3	3000	63	80	2.8	3.4	26	150
	6000	68					
A-2835D42W-S1-08-HR3	3000	65	80	2.8	3.4	23	150
	6000	70					

INDOOR LIGHTING

SMD3014



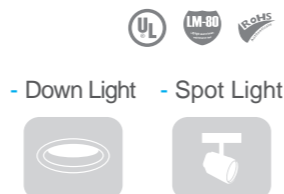
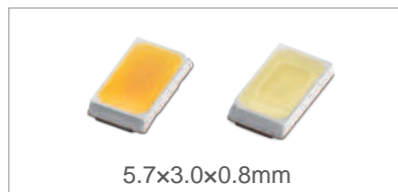
Product Model	CCT(K)	Φ(lm) Typ	(lm/W)Typ	Ra≥	VF(V)		IF(mA)
					Min	Max	
A-3014H421W-S1-08-HR3	3000K	13	140	80	2.7	3.3	30
	6000K	13.5	145				
A-3014H416W-S1-08L-HR3	3000K	12	135	80	2.7	3.3	30
	6000K	12.5	140				

SMD4014



Product Model	CCT(K)	Φ(lm) Typ	(lm/W)Typ	Ra≥	VF(V)		IF(mA)
					Min	Max	
A-4014H421W-S1-HR3-DM	3000K	25	135	80	2.8	3.4	60
	6000K	26	140				
A-4014H489W-S1-HR3-DM-L	3000K	23	120	80	2.8	3.4	60
	6000K	25	130				

SMD5730



Product Model	CCT(K)	Φ(lm) Typ	(lm/W)Typ	Ra≥	VF(V)		Rth J-S (°C/W)	IF(mA)
					Min	Max		
A-5730D34W-S1-08-HR3(LY)	3000K	63	133	80	2.8	3.4	30	150
	6000K	67	140					
A-5730D1W-S1-08-HR3(LY)	3000K	57	120	80	2.8	3.4	30	150
	6000K	62	125					

10W/20W/30W AC LED MODULE OBTAINED CE CERTIFICATE

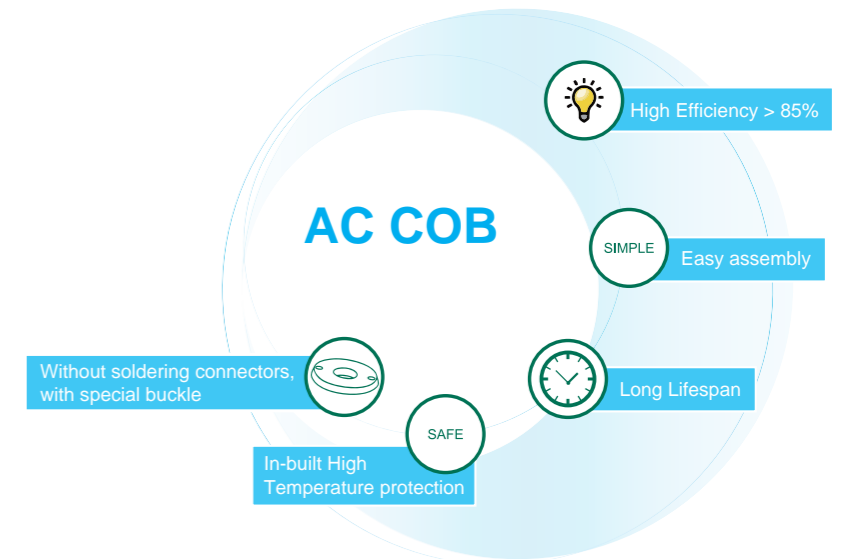
Applications

- Down Light - Spot Light



Features

- High Performance LED Light Engines
- COB packaging & AC technologies combination
- High Efficiency (> 85%), High Power Factor (PF > 0.95), Low THD (<20%)
- Surge protection circuit: (0.5KV~2KV)
- Substrate Hi-pot (>4KV)
- Wide operating voltage range (200-240V)



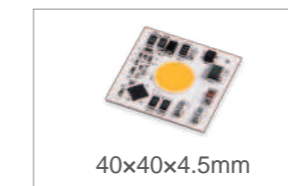
EMC Directive:
EN 55015
EN 61000-3-2
EN 61547
EN 61000-3-3

LVD Directive:
EN 62031
EN 62471

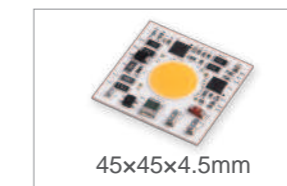
AC LE002



AC LE003



AC LE004



Product Specification

Product Model	CCT(K)	Ra≥	Power(W)	VF(V)	Φv(lm) typ.	Product dimensions(mm)	Luminous dimensions(mm)
LE002	3000	80	10	230VAC	950	32*32*4.5mm	Φ11.2
	5700				1000		
LE003	3000	80	20	230VAC	1800	40*40*4.5mm	Φ17
	5700				1850		
LE004	3000	80	30	230VAC	2750	45*45*4.5mm	Φ20
	5700				2850		

INDOOR LIGHTING

COB LM Series

Features

- Anti-sulfuration design
- 10000hrs LM-80 certified (80W)
- High efficacy, up to 160lm/w (Ra > 80)
- Large scale production for Ra80, Ra90, Ra97
- Compatible with various drivers
- MacAdam 3Steps color binning range



Applications

- Spot Light



- Down Light



LM002 Series(3-20W)



LM003 Series(10-40W)



LM004 Series(25-80W)



Product Specification

Product Model	CCT(K)	Ra ≥	IF(mA)	VF(V) typ.Tj=25°C	Normal power(W)	Φv(lm) typ.Tj=85°C	Φv(lm) typ.Tj=25°C	Efficacy (lm/w)Typ.T j=85°C	Absolute Maximum Power (W)
LM002HW-5B2C12	3000	80	200	36	7.2	800	850	110	11.5
	5700					870	930	120	
LM002HW-7B3C12	3000	80	250	35.6	8.9	1030	1100	115	16.5
	5700					1090	1160	120	
LM002HW-9B4C12	3000	80	350	35.8	12.5	1400	1500	110	20.5
	5700					1470	1570	115	
Product Model	CCT(K)	Ra ≥	IF(mA)	VF(V) typ.Tj=25°C	Normal power(W)	Φv(lm) typ.Tj=85°C	Φv(lm) typ.Tj=25°C	Efficacy (lm/w)Typ.T j=85°C	Absolute Maximum Power (W)
LM003HW-11B5C12	3000	80	500	35.7	17.8	2070	2210	115	27
	5700					2170	2310	120	
LM003HW-15B7C12	3000	80	600	35	21	2660	2830	125	38.5
	5700					2730	2900	130	
LM003HW-17B8C12	3000	80	700	36	25.2	2970	3170	117	43.2
	5700					3060	3260	120	
Product Model	CCT(K)	Ra ≥	IF(mA)	VF(V) typ.Tj=25°C	Normal power(W)	Φv(lm) typ.Tj=85°C	Φv(lm) typ.Tj=25°C	Efficacy (lm/w)Typ.T j=85°C	Absolute Maximum Power (W)
LM004HW-20B10C12	3000	80	1000	35.8	35.8	4250	4530	118	55
	5700					4380	4670	120	
LM004HW-30B14C12	3000	80	1200	35.5	42.6	5050	5380	118	68
	5700					5160	5490	120	
LM004HW-35B16C12	3000	80	1300	35	45.5	5680	6050	124	80
	5700					5770	6140	126	

COMPETITIVE PRICE



Applications

- Street light



- Tunnel lamp



Features

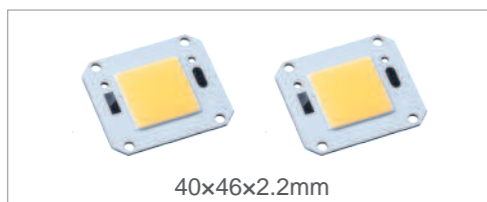
- Power range: 20W-100W
- MacAdam 4 Steps color binning range
- Flip chip with better reliability
- Excellent light output, Low thermal resistance
- Available with exclusive buckle for easy assembly and protection
- Competitive price



COB LH Series

- COB LH005 (20-100W), Flip chip with better reliability, Completely replace traditional integrated module, available with exclusive buckle for easy assembly and protection; is the first-class easy – to – use COB integrated light source with low thermal resistance, it is good for outdoor lighting application.

LH005 (20-100W)



Product Specification

Product Model	CCT(K)	Ra ≥	IF(mA)	VF(V) typ.Tj=25°C	Normal power(W)	Φv(lm) typ.Tj=85°C	Φv(lm) typ.Tj=25°C	Efficacy (lm/w)Typ.T j=85°C	Absolute Maximum Power (W)
LH005FW-20B2C10	3000	70	700	31.5	22	2060	2200	93	26.4
	5700					2250	2400	102	
LH005FW-30B3C10	3000	70	1050	31.5	33	3100	3300	93	39.6
	5700					3470	3700	105	
LH005FW-50B5C10	3000	70	1750	31.5	55	5000	5320	90	63.8
	5700					5410	5760	98	
LH005FW-70B7C10	3000	70	2450	31.5	77	7280	7750	94	86.6
	5700					7520	8000	97	
LH005FW-100B10C10	3000	70	3500	31.5	110	9210	9800	83	124
	5700					10340	11000	94	



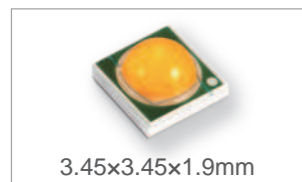
OUTDOOR LIGHTING

HIGH POWER C3535

Features

- Good thermal - conductivity ceramic substrate and low thermal resistance
- Eutectic techniques with good reliability and high efficiency
- 3535: smaller package size
- Good for light fixture design and secondary optical design
- RoHS compliant

C3535



Applications

- Street light
- Tunnel lamp



Product Specification

Product Model	CCT(K)	Φv(lm)	RA(min)	VF(V)		IF(mA)
				min	Max	
C3535F22W1EA(RA1)-D2	2870-3220	120@350mA	70	2.8	3.6	350-700
	5310-6020	135@350mA				

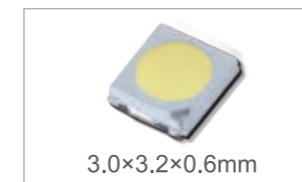


EMC Series

Features

- High thermal conductivity, low thermal resistance
- Anti-UV
- High Power Chip in smaller size package
- Maximum power can reach up to 2W
- High efficacy, Maximum efficacy up to 160lm/W

ES-3032



Applications

- Street light
- Flood light



Product Specification

Product Model	CCT(K)	Ra≥	IF(mA)	VF(V)		Φv(lm) Typ	Rth J-S (°C/W)
				min	Max		
ES-3032D42W-2C-S1-HR3	6000	80	150	5.8	6.6	130	15
	3000						
ES-3032D46W-2C-S1-HR3	6000	80	150	5.8	6.6	125	19
	3000						
ES-3032D1W-2C-S1-HR3	6000	80	150	5.8	6.6	120	35
	3000						



OUTDOOR LIGHTING

PORTABLE LIGHTING



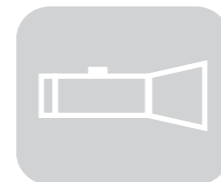
C3535

Features

- Good thermal - conductivity ceramic substrate and low thermal resistance
- Small - size package is good for light fixture design and secondary optical design
- Vertical dice package with higher light output density
- Flashlight with lens has a larger linear light intensity, high beam in effect

Applications

- Flashlight



C3535-GQ



Product Specification

Product Model	IF(mA)	P(W)	Φ(lm)	CCT(K)	VF(V)	Ra(min)
HL-C3535F3W3EA(Ra1)-GQ	350	1	110-125	7500-16000	3.0-3.6	70
HL-C3535F3W3EA(Ra1)-GQ	700	3	180-240	7500-16000	3.2-3.8	70



HIGH POWER E SERIES

Features

- Long operating life, High flux
- Low voltage DC operated
- Anti UV
- RoHS compliant

Applications

- Flood lamp



Product Specification

Product Model	CCT(K)	Φv(lm)typ.	Ra≥	VF(V)		IF(mA)
				min	Max	
EF22W3NAMS(Ra1)	2870-3220	220	70	3.2	3.8	700
	5310-6020	250				
EF45W1NAMS(Ra1)	2870-3220	130	70	3.0	3.6	350
	5310-6020	140				



OUTDOOR LIGHTING



Applications

- Strip Light



5.4x5.0x1.6mm



Product Specification

Product Model	CCT(K)	Φ(lm) Typ	Ra≥	VF(V)		Rth J-S (°C /W)	IF(mA)
				Min	Max		
AF-5060H271BU46FU79GC-S1-T1	R	460mcd	/	1.8	2.4	/	20mA*3
	G	1300mcd		2.8	3.4		
	B	270mcd		2.8	3.4		
AF-5060H343W-3-S1-T1-HR3	3000	23	80	2.6	3.2	50	20mA*3
	6000	24					
AF-5060H415W-3-S1-TL-HR3	3000	23	80	2.6	3.2	50	20mA*3
	6000	25					
AF-5060H252W-3-S1-T1-HR3	3000	25	80	2.6	3.2	50	20mA*3
	6000	26					

SMD 5060

Features

- Long lifespan, high CRI
- Available in Multi Colors



AUTOMOTIVE LED



Head Lamp



Product Model	Rated Current@ Recommend Power	Max Current@ Max Power	Product Dimension (mm)	CCT(K)	Flux(lm)	Voltage(V)
C2016K9W3CB (Ra1) -FC-CZ	1A@3W	1.5A@5W	2.0*1.6*0.75	5665-6530	320-360	2.8-3.3
C5050K11W10BB (Ra1)-FC-CZ	2.4A@7W	3A@10W	5.0*5.0*2.91	5665-7040	650-850	2.9-3.5
C5050K9W10BB-12B 2C2(Ra1) -FC-CZ	1.5A@10W	2A@12W	5.0*5.0*2.91	5665-7040	1300-1500	5.6-6.6
HL-C5322F35W-12B2 C2(Ra1)-FC-LVR-CZ	2.0A@12W	2.4A@15W	5.3*2.5*0.75	5665-6530	900-1200	5.6-6.6

Turn Signal



Product Model	Rated Current@ Recommend Power	Max Current@ Max Power	Product Dimension (mm)	Chromaticity coordinate	Flux(lm)	Voltage(V)
A-2835H421WY -S1-08-CZ	0.06A@0.18w	0.07A@0.21w	3.5*2.8*0.7	(0.57.0.41)	17-22	2.8-3.4
A-3528D34WY-S1 -08-PCT-CZ	0.15A@0.5W	0.18A@0.6W	3.5*2.8*0.8	(0.57.0.41)	40-55	2.8-3.4

- Hongli Zhihui Group strictly according to ISO/TS16949 quality management system, and VDA6.3 German automotive standard, providing full range of Automotive LEDs with high brightness, good reliability and low electricity consumption, some of them approved AEC-Q 101, and meet the GB(China), ECE(EU), SAE(United States) standards. These Automotive LEDs are applied to head lamp, DRL, turn signal, stop lamp, working light, Dashboard, atmosphere lamp etc.



AUTOMOTIVE LED

DRL



Product Model	Rated Current@ Recommend Power	Max Current@ Max Power	Product Dimension (mm)	CCT(K)	Flux(lm)	Voltage(V)
AS-3528D34W-S1 -08-PCT-CZ	0.15A@0.5W	0.18A@0.6W	3.5*2.8*0.8	5000-6000	60-68	2.8-3.4
A-2835D1W-S1 -08-HR1-CZ	0.15A@0.45W	0.17A@0.57W	3.5*2.8*0.8	4750-6500	57-67	2.8-3.4

Stop Lamp



Product Model	Rated Current@ Recommend Power	Max Current@ Max Power	Product Dimension (mm)	Dominant Wavelength(nm)	Flux(lm)	Voltage(V)
A-3528U51FC-S1 -13-CZ	0.03A@0.06W	0.03A@0.06W	3.5*2.8*1.3	617-627	780-1000 (mcd)	1.8-2.4

Working Light



Product Model	Rated Current@ Recommend Power	Max Current@ Max Power	Product Dimension (mm)	CCT(K)	Flux(lm)	Voltage(V)
C2525F71W3EA (Ra1)-FC-CZ	0.35A@1W	0.50A@1.6W	2.45*2.45*1.85	5665-7040	110-140	2.8-3.6



Dashboard Lamp



Product Model	Rated Current@ Recommend Power	Max Current@ Max Power	Product Dimension (mm)	CCT(K)	Flux(lm)	Voltage(V)
PC-3216H233W -CZ	0.005A/0.015W	0.020A/0.06W	3.2*1.6*0.68	6000-7000	270-460	2.8-3.4
PSC-2012H233W -CZ	0.02A/0.06W	0.03A/0.09W	2.0*1.25*0.68	12000	780-1700	2.8-3.4

Atmosphere Lamp



Product Model	Rated Current@ Recommend Power	Max Current@ Max Power	Product Dimension (mm)	CCT(K)	Flux(lm)	Voltage(V)
AA-2810U38FC-D-CZ	0.02A/0.06W	0.03A/0.09W	2.8*1.0*1.2	617-627	460-700	1.8-2.4



ISO TS16949



LED BACKLIGHT



LED BAR SOLUTION DEVELOPMENT

- Customers offer solution, we design, prepare samples, supply
- Customers offer requirements, we design solution, prepare samples, supply.
- Value-added service: Cost-down solution, brightness-increasing solution, and so on.

LED COMPONENT

Features

- High reliability
- High Brightness
- Long lifespan

7020 (Edge-light type)



7020 (dual chips)



Product Specification

Center Coordinates(x,y)	Brightness(lm)Typ	VF(V)	IF(mA)
(0.269 , 0.246)	61	2.8-3.4	150
(0.269 , 0.246)	122	5.6-6.6	150

Features

- High reliability
- High Brightness
- Long lifespan

4014 (Edge-light type)



Product Specification

Center Coordinates(x,y)	Brightness(lm)Typ	VF(V)	IF(mA)
(0.269 , 0.246)	34	2.8-3.4	90
(0.269 , 0.246)	45	2.8-3.4	120

CUSTOMIZED, SAFE, FAST, EFFICIENT

- LED component + LED module integration independent development, as TV backlight's overall solutions provider

LED COMPONENT SOLUTION DEVELOPMENT

- Independent R&D, Research and develop and improve mainly according to the market's requirements about brightness, color chromaticity, color gamut and so on.
- Special customized R&D(Research and develop special LED components according to customers' special requirements)

LED BACKLIGHT

Features

- Good heat dissipation
- High Brightness
- Long lifespan

3528 (dual chips)



Product Specification

Center Coordinates(x,y)	Brightness(lm)Typ	VF(V)	IF(mA)
0.269 , 0.246	112	Parallel connection2.8-3.4 Series connection5.6-6.6	300/150

Features

- High color gamut coverage
- Good thermal dissipation
- High Brightness
- Long lifespan

3528 (dual chips with wide color range coverage)



Product Specification

Center Coordinates(x,y)	Brightness(lm)Typ	VF(V)	IF(mA)
0.269 , 0.246	107	2.8-3.4	300

Features

- Good heat dissipation
- High Brightness
- Long lifespan

3030 (1W)



Product Specification

Center Coordinates(x,y)	Brightness(lm)Typ	VF (V)	IF(mA)
0.269 , 0.246	110	2.8-3.4	300

Features

- Good heat dissipation
- High Brightness
- Long lifespan
- high power

3030 (2W)



Product Specification

Center Coordinates(x,y)	Brightness(lm)Typ	VF (V)	IF(mA)
0.269 , 0.246	210	5.6-6.6	300
0.269 , 0.246	210	2.8-3.4	600

Features

- Flip chip
- High reliability
- Good heat dissipation
- High Brightness
- Long lifespan
- high power

CSP (1313/1616)



Product Specification

Product Model	Center Coordinates(x,y)	Brightness(lm)Typ	VF(V)	IF(mA)
CSP(1313)	0.265,0.237	210	2.8-3.2	650
CSP(1616)	0.265,0.237	210	2.8-3.2	650
CSP(1907)	0.265,0.237	70	5.6-6.4	100
CSP(2507)	0.265,0.237	90	5.6-6.4	135

LED BACKLIGHT



TV LIGHT BAR

- High light efficacy, high color gamut coverage,
- Energy saving and environmentally friendly;
- Adapt to different TV module, Specific back light design solution;
- Less led, shorter distance for light mixing, (higher color taste effect).

- Direct-light type

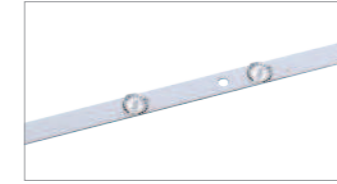


- Edge-light type



DIRECT-LIGHT TYPE

Direct-lit type refracting light bar



Applications

- TV
- Lighting
- Advertising signboard

Product Specification

Size(inch)	IF(mA)	LED Brightness	OD
32inch (Recommended≥10pcs)	150~600	101~200lm	25~35
39~40inch (Recommended≥24pcs)	150~600	101~200lm	25~35
42~43inch (Recommended≥32pcs)	150~600	101~200lm	25~35
48~50inch (Recommended≥45pcs)	150~600	101~200lm	25~35
55inch (Recommended≥66pcs)	150~600	101~200lm	25~35
65inch (Recommended≥98pcs)	150~600	101~200lm	25~35

Direct-lit type reflecting light bar



Applications

- TV
- Lighting
- Advertising signboard

Product Specification

Size(inch)	IF(mA)	LED Brightness	OD
32inch (Recommended≥14pcs)	150~600	101~200lm	15~20
43inch (Recommended≥50pcs)	150~600	101~200lm	15~20
49inch (Recommended≥60pcs)	150~600	101~200lm	15~20
55inch (Recommended≥72pcs)	150~600	101~200lm	15~20

Direct-lit type CSP light bar



Applications

- TV
- Commercial display
- LED displays board

Product Specification

Size	IF(mA)	LED Brightness	OD
≥32inch	650	210LM	28-35

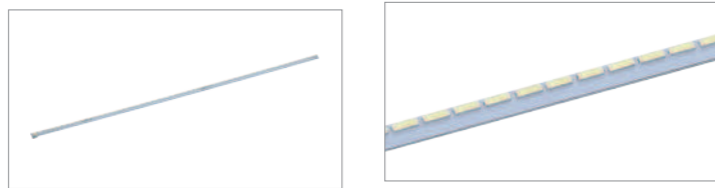
LED BACKLIGHT

EDGE-LIGHT TYPE LIGHT BAR

Applications

- Monitor
- TV
- Commercial display
- Advertising signboard

Edge-light type light bar



Product Specification

Size(inch)	IF(mA)	LED Brightness	LGP
Small size<39inch	60/90/120	24-25lm	2T-3T
Large size>43inch	150	61-122lm	2T-3T

Applications

- Monitor
- TV
- Commercial display

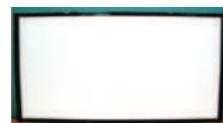
Edge-light type CSP light bar



Product Specification

Size	IF(mA)	LED Brightness	LGP
>32inch	100	70-90lm	1T-2T

BACKLIGHT MODULE



Applications

- TV
- Commercial display
- Advertising signboard

Product Specification

Size(inch)	OD	Films Configuration	Brightness
Direct-lit 32 inch(2*5)	35	1.5T diffuser plate+1 BEF+1 diffuser	3200
Direct-lit 40 inch(3*8)	35	1.5T diffuser plate+2 diffuser	3500
Direct-lit 43 inch(3*9)	35	1.5T diffuser plate+2 diffuser	4000
Direct-lit 55 inch(6*11)	30	2T diffuser plate+2 diffuser	4500
Direct-lit 55 inch(5*9)	35	2T diffuser plate+2 diffuser	4500
Direct-lit 65 inch(7*14)	30	2T diffuser plate+2 diffuser	4500
Edge-light 32 inch	-	2.0T light guide plate+1 BEF+1 diffuser	6000
Edge-light 55 inch	-	3.0T light guide plate+1 BEF+1 diffuser	5000
Edge-light 75 inch	-	3.0T light guide plate+1 BEF+1 diffuser	7000

INDICATOR & DISPLAY APPLICATIONS

CHIP LED

Features

- Low power consumption, wide viewing angle
- Variety of color, Flexible design
- Reflow solderable
- RoHS compliant



1608



2012



3216



Applications

- Indicator light
- Backlight
- Display
- Car dashboard

Product Specification

Product Model	(X/Y)	Iv(mcd)Typ	VF(V)		IF(mA)
			Min	Max	
PST-1608H233W	0.26/0.255	600	2.6	3.4	10
PSC-2012H233W	0.26/0.255	1300	2.6	3.4	20
PC-3216H233W	0.26/0.255	1000	2.6	3.4	20



INDICATOR & DISPLAY APPLICATIONS

Applications

- Advertising Signboard



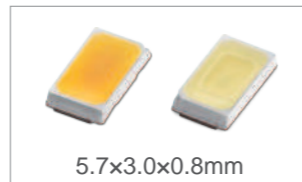
SMD2835



SMD3014



SMD5730

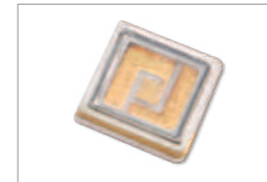


Product Specification

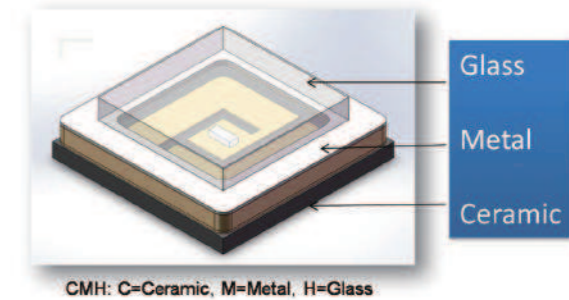
Product Model	CCT(K)	Φ(lm) Typ	Ra≥	VF(V)		Rth J-S (°C/W)	IF(mA)
				Min	Max		
A-2835D1W-S1-08-HR1	7200	60	70	2.8	3.4	30	150
	10000	58					
A-3014H378W-S1-08-HR1	6500	12	70	2.6	3.2	50	30
	10000	11.5					
A-5730D34W-S1-08-HR3(LY)	6000	65	80	2.8	3.4	30	150
	3000	63					



STERILIZATION, DISINFECTION CMH INORGANIC UVC LED



UVC-G6060 (270-290nm)



Features

- Package dimensions: 6.0 *6.0 *1.65mm
- View Angle: 120°
- Hermetic package, to meet the US military standard MIL-STD-883
- High stability, N2 or vacuum protection
- Quartz Glass package, high corrosion resistance
- Long operating life
- Esd protection, RoHS compliant

Applications

- Sterilization
- Disinfection



Product Specification

Product Model	VF(V)	IF(mA) Standard	Optical Power (Typ)	Peak Wavelength
G6060S14V280-D1-LVR15	5.0-7.0V	20mA	0.5-2.5mW	λp=270-290nm



UVA INDUSTRIAL CURING

UVA-C3535 (360-410nm) 120°



Features

- High radiation flux
- Instant light (less than 100ns)
- Low voltage DC operated
- High heat dissipation efficiency
- Superior ESD protection
- Long operating life
- RoHS compliant

UVA-C3535 (360-410nm) 60°



Applications

- UV Curing
- UV Printing
- UV Exposure
- Nail Polish Curing
- Security, Banknote
- Mosquito Killer

Product Specification

Product Model	VF(V)	IF(mA) standard	Optical Power (Typ)	Peak Wavelength
C3535F7V365-D1-LVR9(Au60)	3.0-4.0V	500mA	≥350mW	$\lambda_p=360-370\text{nm}$
C3535F7V365-D1-LVR9(Au120)			≥650mW	$\lambda_p=380-390\text{nm}$
C3535F8V385-D1-LVR9(Au 60)			≥700mW	$\lambda_p=390-400\text{nm}$
C3535F9V395-D1-LVR9(Au60)	3.0-3.8V	500mA	≥700mW	$\lambda_p=400-410\text{nm}$
C3535F9V395-D1-LVR9(Au120)				
C3535F10V405-D1-LVR9(Au60)				
C3535F10V405-D1-LVR9(Au120)				



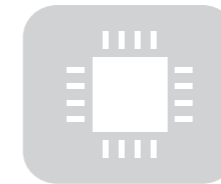
INFRARED LED

Features

- Low power consumption, Good angle directivity
- Multi – angle options
- Applicable to wave - soldering technique
- RoHS compliant

Applications

- Electronic Whiteboard
- Induction device
- Electronic Surveillance Device



φ3



φ5



Product Specification

Product Model	Angle(°)	WD(nm)	I0(mw/sr)	VF(V)		IF(mA)
				min	max	
304IR3C-L3	30	940	26	1.3	1.9	50
304IR4C-L5		850	75			
Product Model	Angle(°)	WD(nm)	I0(mw/sr)	VF(V)		IF(mA)
				min	max	
503IR3C-L3	15	940	71	1.3	1.9	50
503IR4C-L5		850	154			



HIGH POWER LED C3535

Features

- Ceramic substrate and thermoelectrical separation design
- Customized wavelength and proportioning is available
- High Reliability, High Brightness, High efficacy, Low thermal resistance
- High luminous efficacy, Universal design in 1W and 3W
- Suitable for all SMT assembly and soldering process
- Application: LED Plant growth light & LED aquarium light

C3535



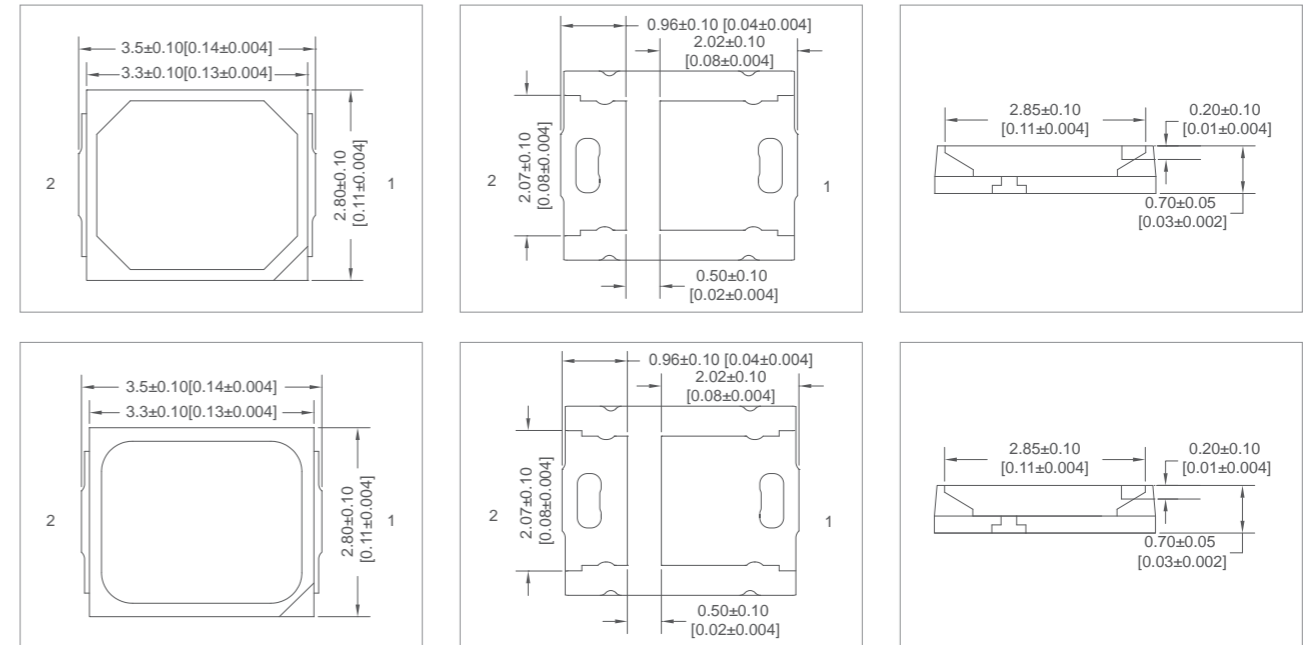
Product Specification

Product Model	颜色	VF(V)	IF(mA) Standard	Wavelength(nm)
HL-C3535F3V3EA-ZW	■	3.2-3.8V	700mA	峰值波长 λ _P =385-395nm
HL-C3535F26B3EA-ZW	■	3.2-3.8V	700mA	主波长 λ _d =440-445nm
HL-C3535K4B3EA-ZW	■	3.0-3.8V	700mA	主波长 λ _d =460-470nm
HL-C3535F5R3EA-ZW	■	2.2-3.0V	700mA	峰值波长 λ _P =655-665nm
HL-C3535F4IR3EA-ZW	红外	1.8-2.4V	700mA	峰值波长 λ _P =735-745nm

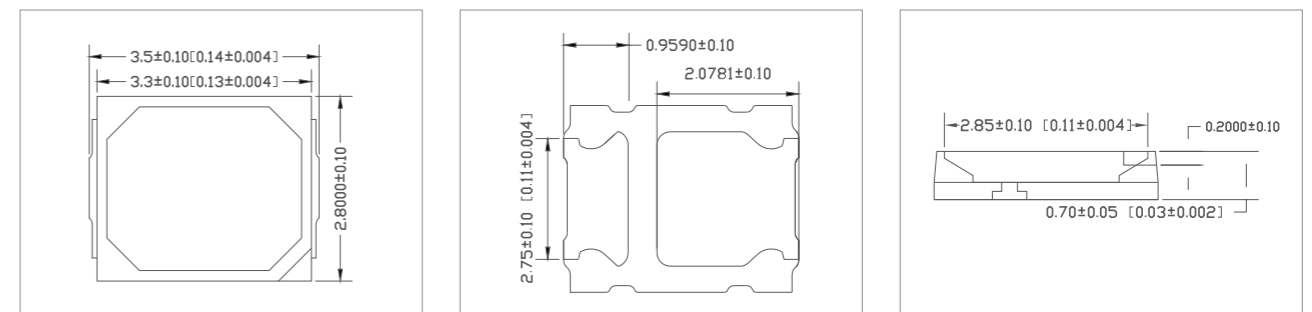


SMD LED

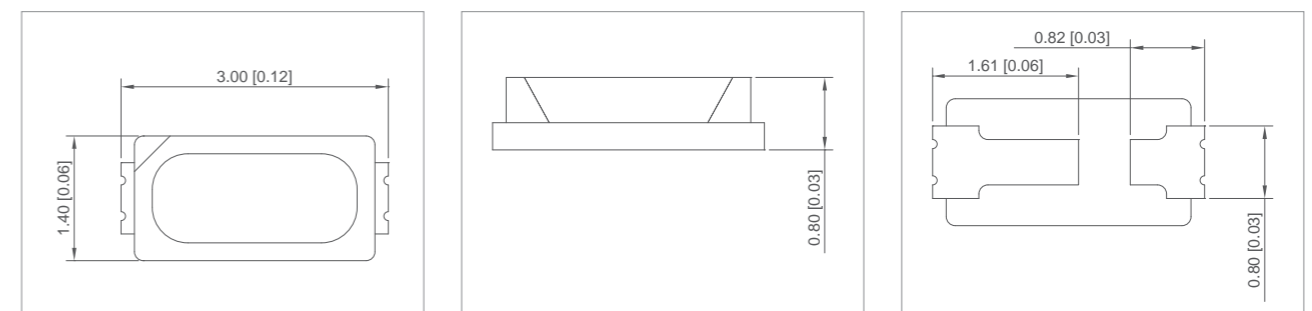
2835 尺寸:2.8x3.5x0.7mm



2835-PCT 尺寸:2.8x3.5x0.7mm

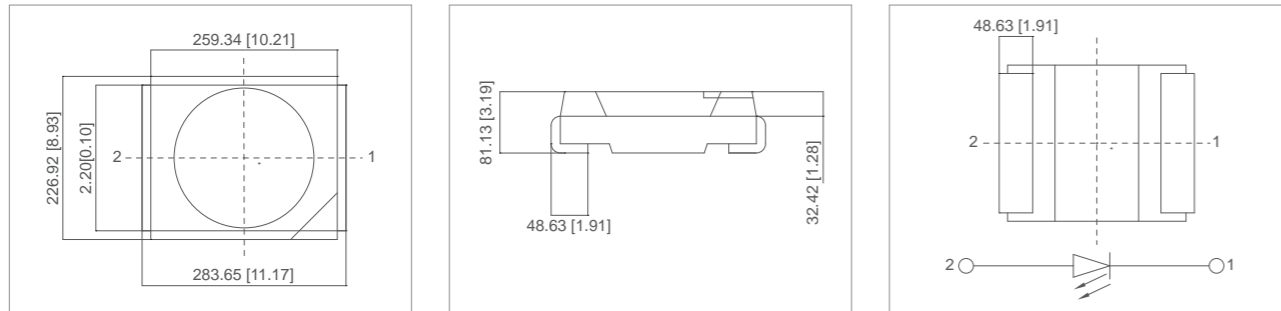


3014 尺寸:3.0x1.4x0.8mm

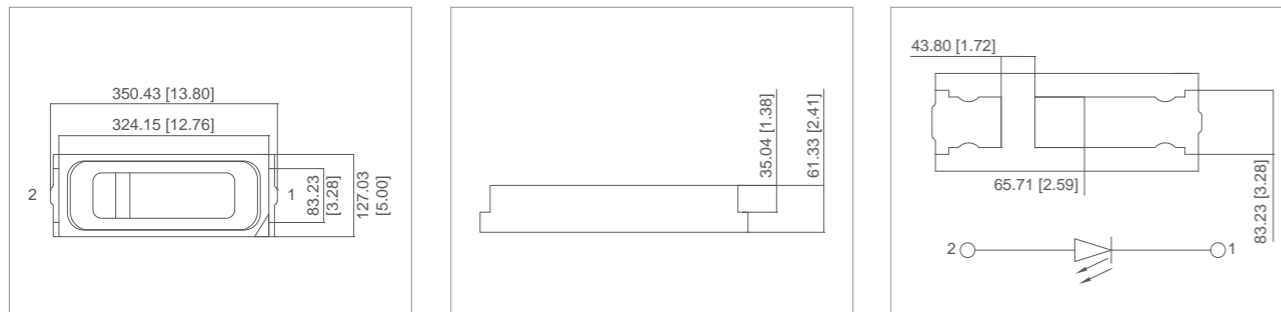


PACKAGE DIMENSIONS

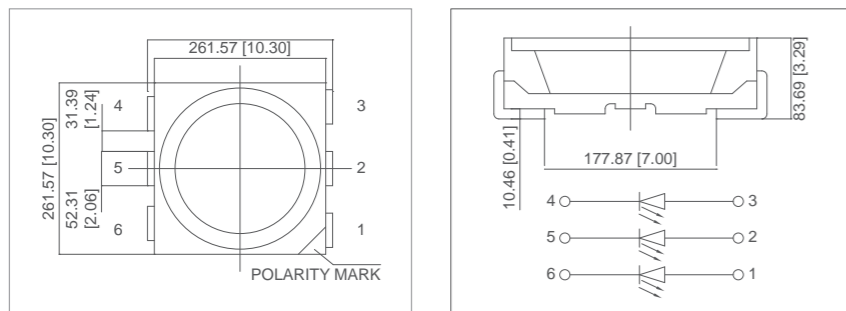
3528 SIZE:3.5x2.8x1.4mm



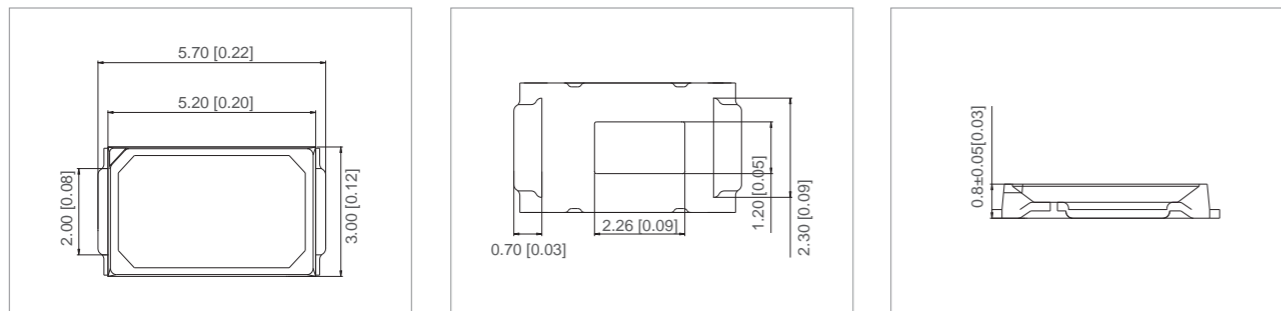
4014 SIZE:4.0x1.4x0.7mm



5060 SIZE:5.4x5.0x1.6mm

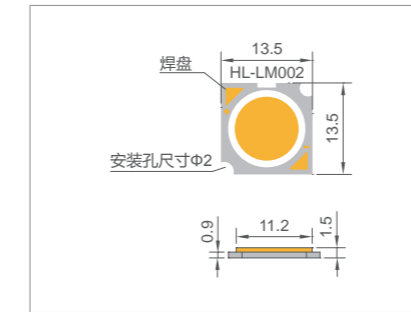


5730 SIZE:5.7x3.0x0.8mm

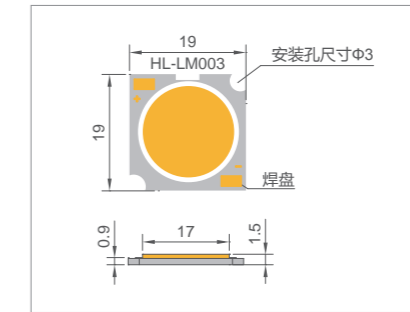


COB LED

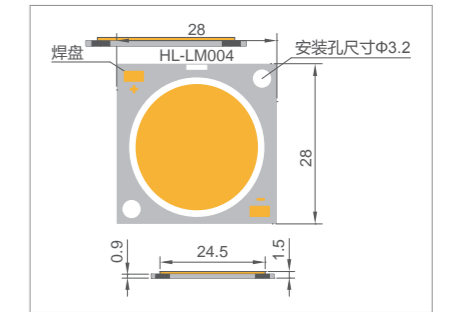
LM002 SIZE:13.5x13.5x1.5mm



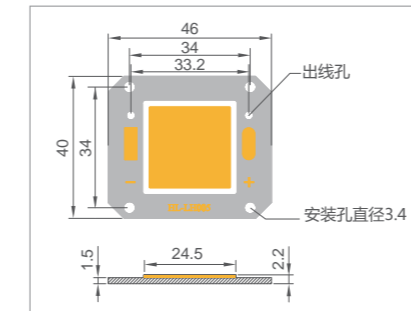
LM003 SIZE:19x19x1.5mm



LM004 SIZE:28x28x1.5mm

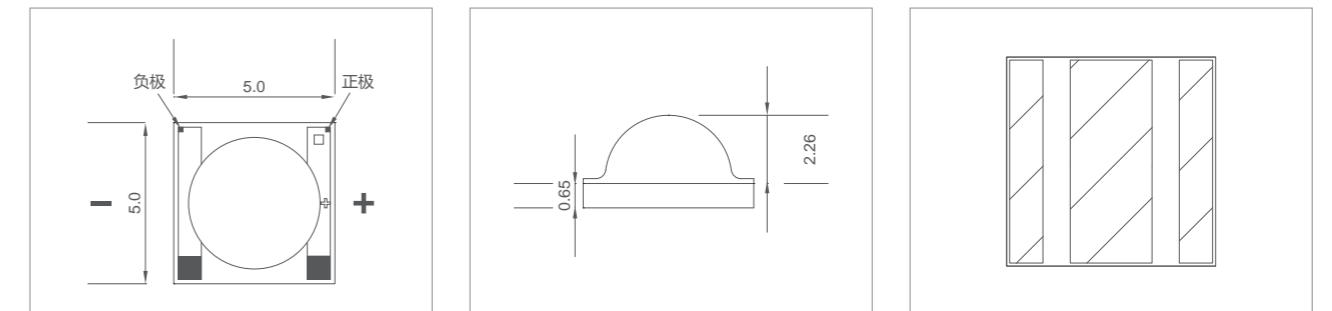


LH005 SIZE:40x46x2.2mm



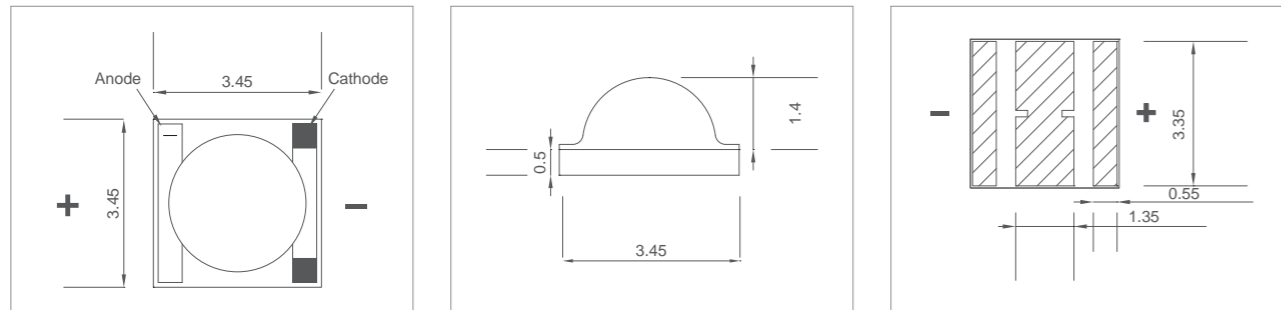
HIGH POWER LED

C5050 SIZE:5.0x5.0x2.94mm

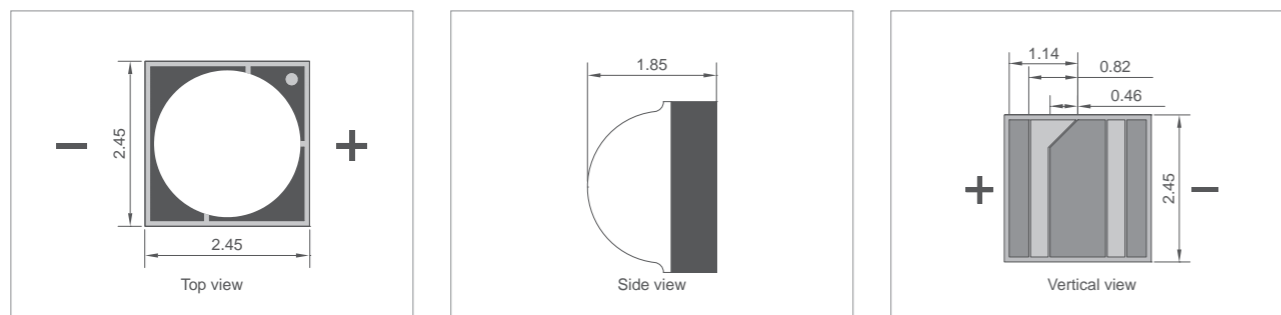


PACKAGE DIMENSIONS

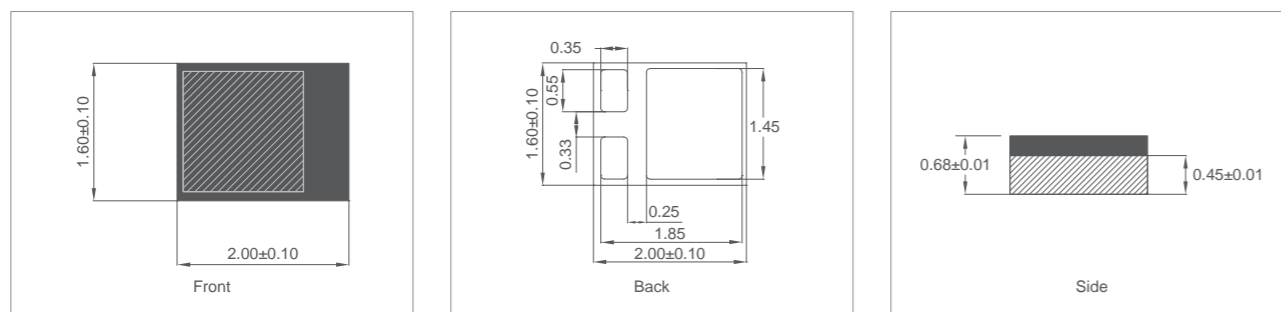
C3535 SIZE:3.45x3.45x1.9mm



C2525 SIZE:2.45x2.45x1.85mm

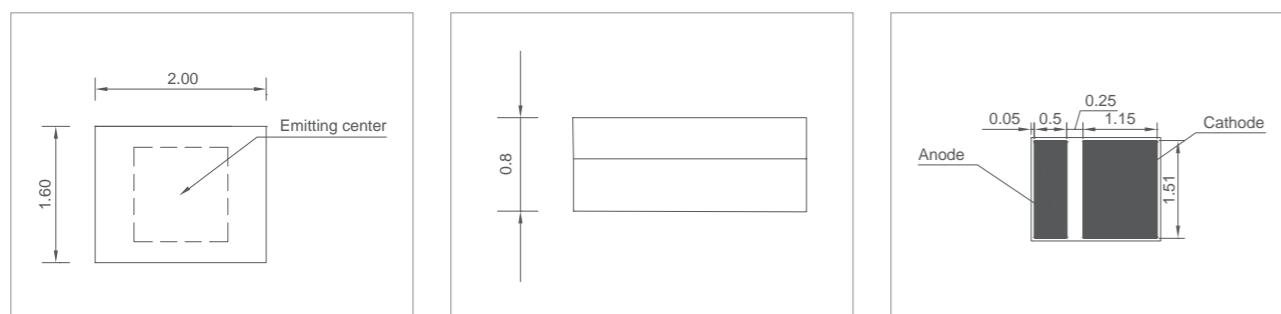


C2016 SIZE:2.0x1.6x0.68mm



FLASH LED

2016 SIZE:2.0x1.6x0.8mm



电话: +86-20-8673 3911 传真: +86-20-8673 3883 邮箱: hongli@honglitrionic.com

